

Distributed by:

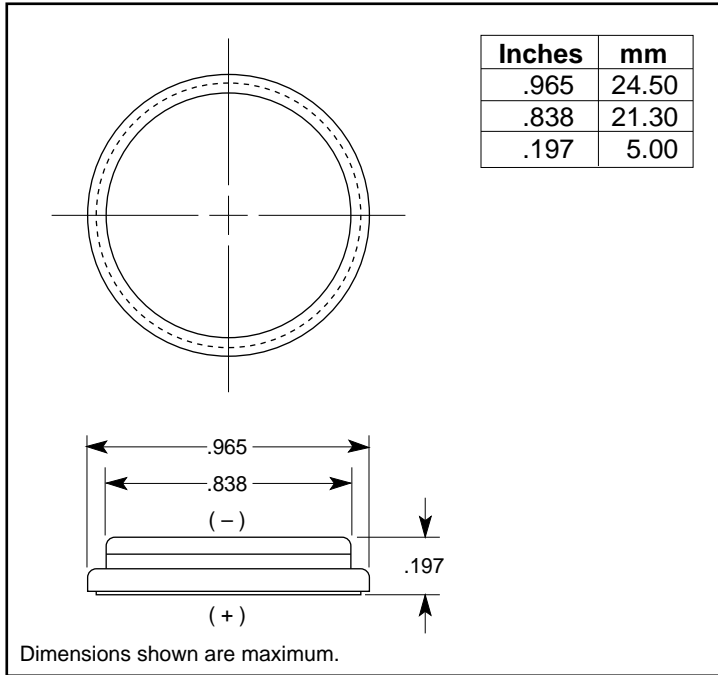


www.Jameco.com ♦ 1-800-831-4242

The content and copyrights of the attached material are the property of its owner.

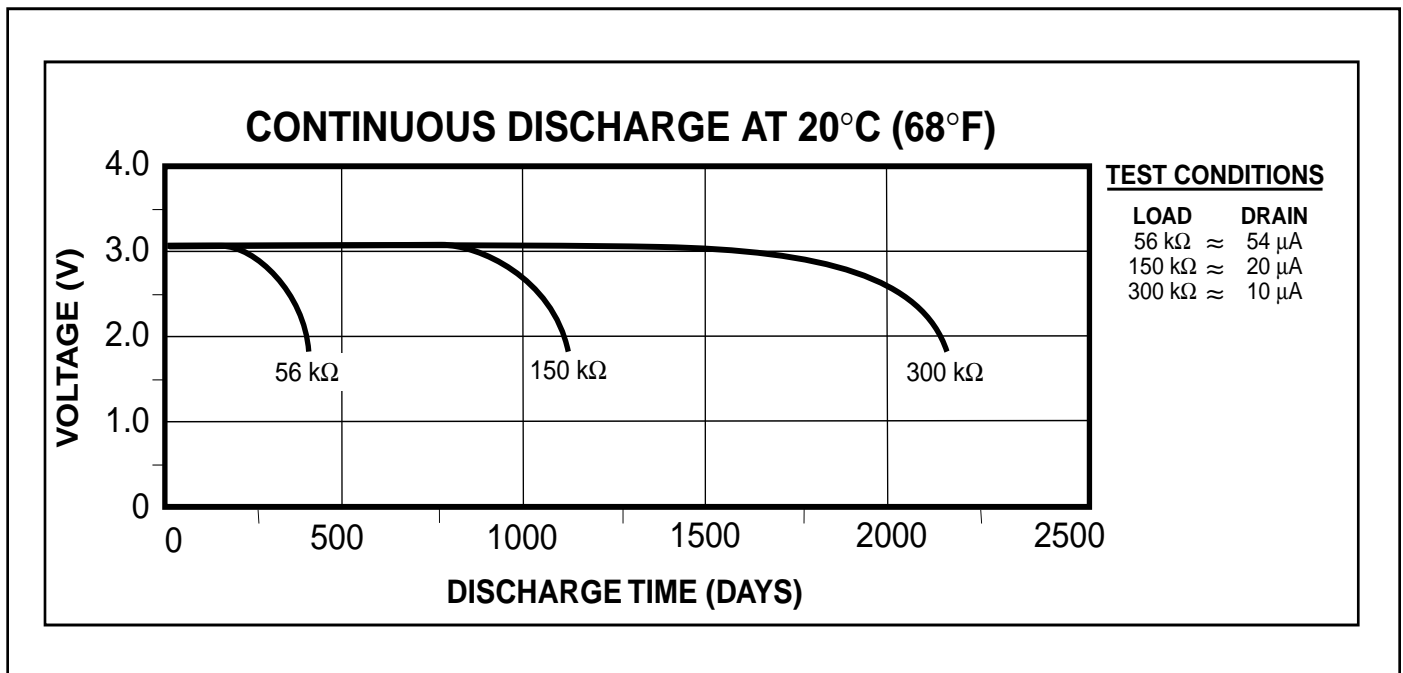
Jameco Part Number 689071

Lithium/Manganese Dioxide Battery



SPECIFICATIONS

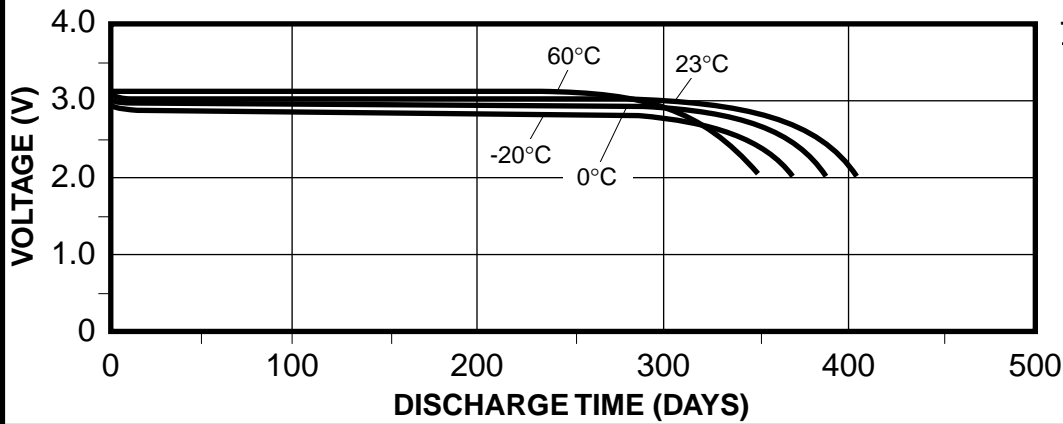
Nominal Voltage:	3.0 V
Typical Voltage:	3.1 – 3.3 V
Rated Capacity:	600 mAh on 15 k Ω to 2.0 V at 20°C (68°F)
Average Weight:	0.217 oz. (6.2 g)
Volume:	0.144 in. ³ (2.36 cm ³)
Terminals:	Flat, PC Pins
Operating Temp. Range:	-40°C to 60°C (-40°F to 140°F)
NEDA/ANSI:	5029LC
IEC:	—



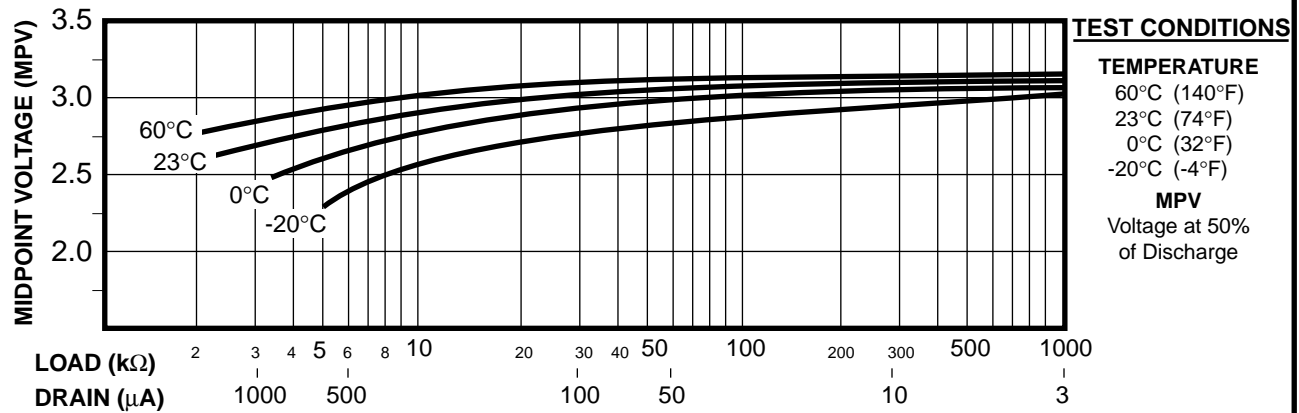
DURACELL INC.

New Products and Technology Division
Berkshire Corporate Park
Bethel, CT 06801 U.S.A.
Telephone: Toll-free 1-800-431-2656
Outside North America: 203-791-3274
Facsimile: 203-791-3273
Internet: www.duracellnpt.com

EFFECT OF TEMPERATURE ON PERFORMANCE



MIDPOINT OPERATING VOLTAGE vs LOAD



DELIVERED CAPACITY vs LOAD

