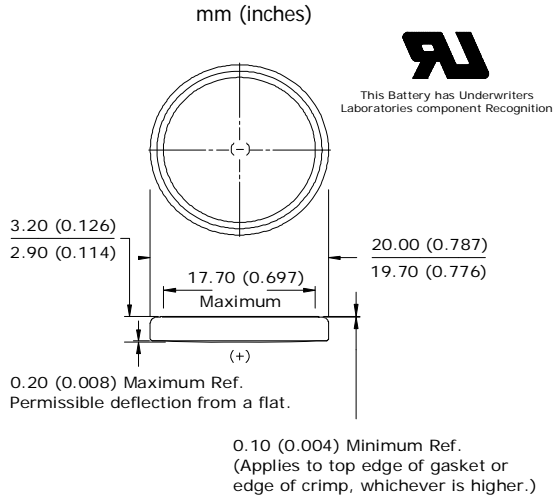


# ENERGIZER CR2032

# Lithium Coin



## Industry Standard Dimensions



## Specifications

<b>Classification:</b>	"Lithium Coin"
<b>Chemical System:</b>	Lithium / Manganese Dioxide (Li/MnO <sub>2</sub> )
<b>Designation:</b>	ANSI / NEDA-5004LC, IEC-CR2032
<b>Nominal Voltage:</b>	3.0 Volts
<b>Typical Capacity:</b>	240 mAh (to 2.0 volts) (Rated at 15K ohms at 21°C)
<b>Typical Weight:</b>	3.0 grams (0.10 oz.)
<b>Typical Volume:</b>	1.0 cubic centimeters (0.06 cubic inch)
<b>Typical IR:</b>	10,000 - 40,000 mΩ
<b>Max Rev Charge:</b>	1 microampere
<b>Energy Density:</b>	198 milliwatt hr/g, 653 milliwatt hr/cc
<b>Typical Li Content:</b>	0.109 grams (0.0038 oz.)
<b>UL Listed:</b>	MH12454
<b>Shipping:</b>	For complete details, please reference: Global (except US): Special Provision A45 of the International Air Transport Association Dangerous Goods Regulations United States: 49 CFR 173.185

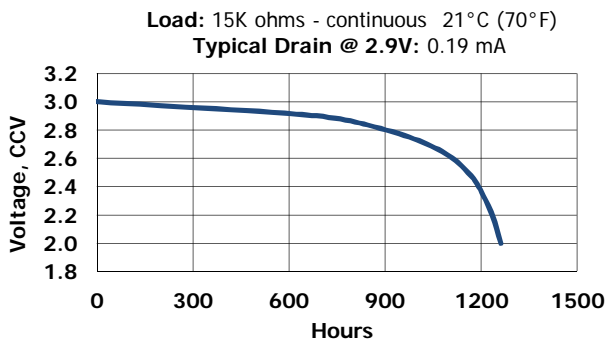
## Safety:



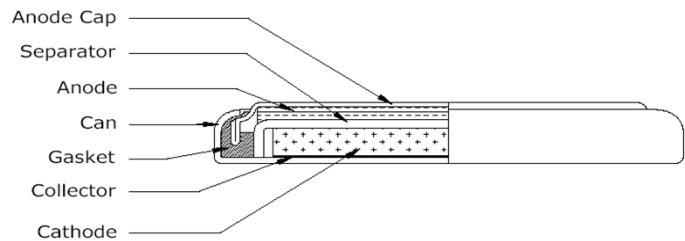
**(1) KEEP OUT OF REACH OF CHILDREN.** Swallowing may lead to serious injury or death in as little as 2 hours due to chemical burns and potential perforation of the esophagus. **Immediately see doctor; have doctor phone (202) 625-3333.**

**(2) Battery compartment design.** To prevent children from removing batteries, battery compartments should be designed with one of the following methods: a) a tool such as screwdriver or coin is required to open battery compartment or b) the battery compartment door/cover requires the application of a minimum of two independent and simultaneous movements of the securing mechanism to open by hand. Screws should remain captive with the battery door or cover.

## Continuous Discharge Characteristics



## Cross Section



## Simulated Application test

Typical Performance at 21°C (70°F)

Schedule:	Typical Drains: at 2.9V (mA)	Load (ohms)	Cutoff 2.0V (hours)
Continuous	0.043	68,000	721

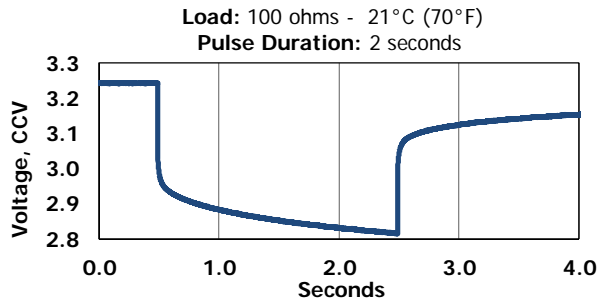
## Important Notice

This datasheet contains typical information specific to products manufactured at the time of its publication.  
©Energizer Holdings, Inc. - Contents herein do not constitute a warranty.

ENERGIZER CR2032

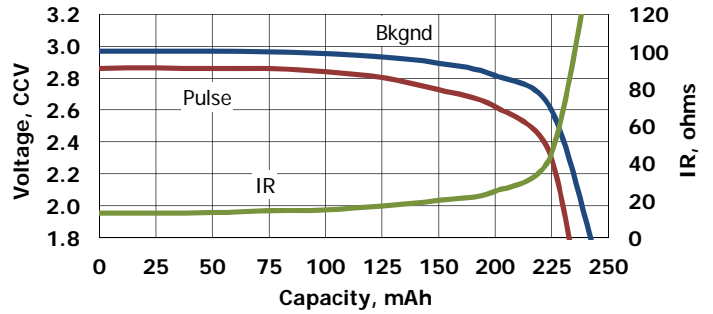
Lithium Coin

**Pulse Characteristics**

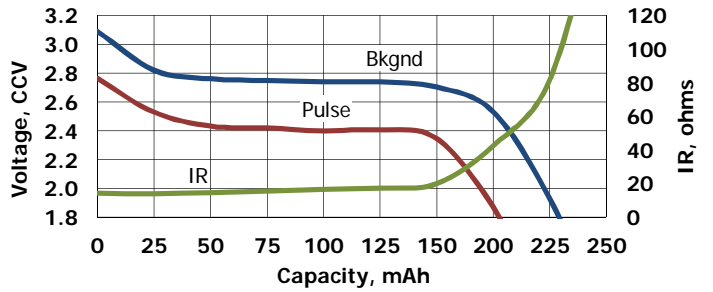


**Pulse Discharge Characteristics**

**Bkgnd Drain:** Continuous 21°C (70°F) 15K ohms  
0.19 mA @2.9V  
**Pulse Drain:** 2 seconds X 12 times/day  
400 ohms  
~6.8 mA @2.7V



**Bkgnd Drain:** None 21°C (70°F)  
**Pulse Drain:** 1mSec ON / 14mSec OFF  
120 ohms  
~23 mA @2.7V



**Important Notice**

This datasheet contains typical information specific to products manufactured at the time of its publication.  
©Energizer Holdings, Inc. - Contents herein do not constitute a warranty.