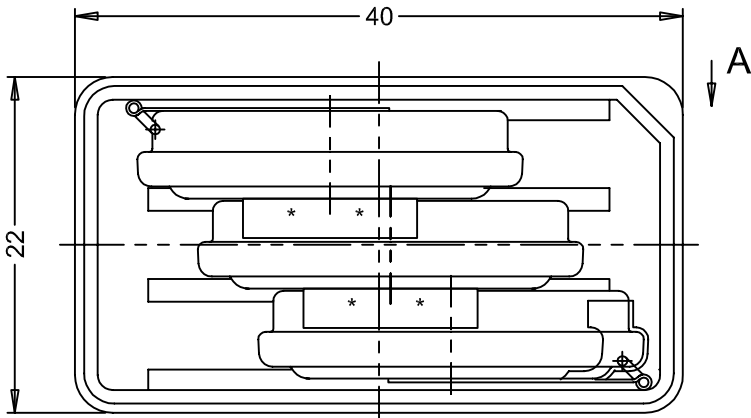
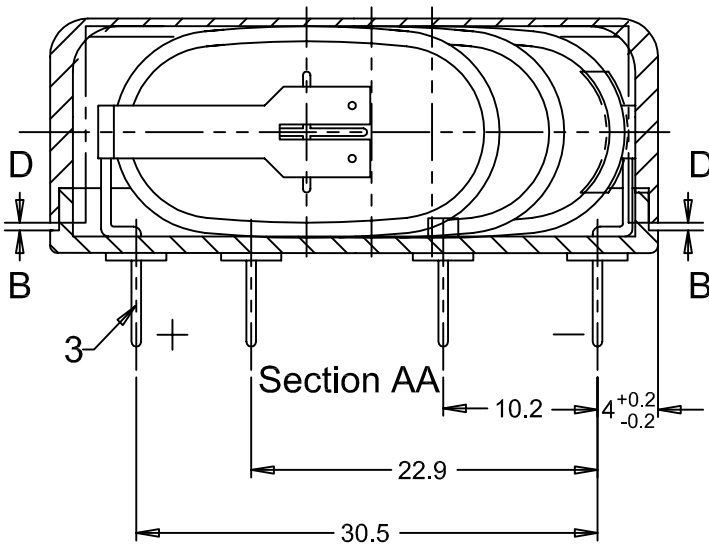


No	AO No	Revisions	Date	Name
2	12-R027	Change date code format from Q3 (QQY) to M3 (MMY)	2012-01-30	TitisWS
1	R183/08	To add in the crossed-out wheeled bin	2008-04-17	TitisWS

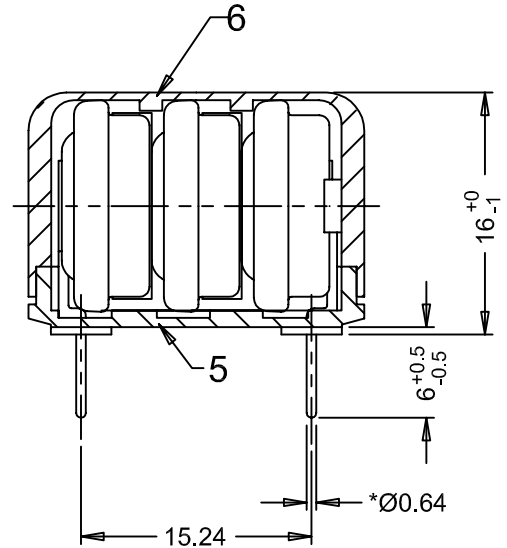
Projection:		Material: Refer to part list no: 070901		Description: 3/V150H battery "Mempac S-H"		
Dimensions in mm		Prepared & Checked: 2008-04-23 TitisWS		Verified & Approved:		Dwg. No: 070901 (sheet 1 of 2) 402 VKB Order No: 55615 703 012
Tolerance: DIN 7168-M Scale: 1 : 1						



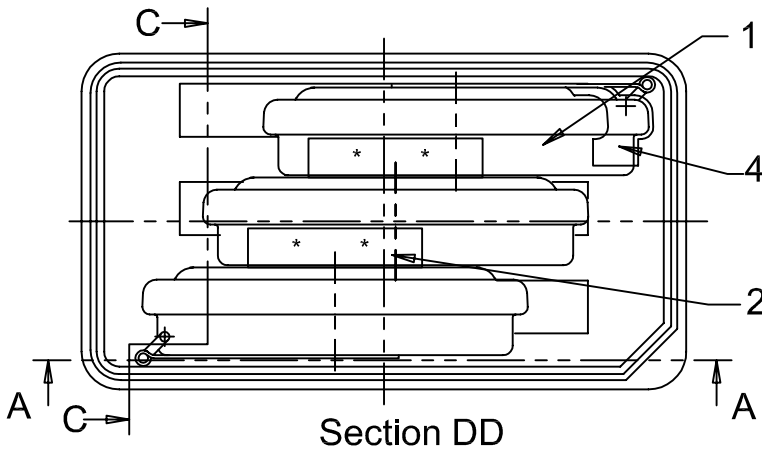
Section BB



Section AA



Section CC



Section DD

Note: 1) *Dimensions for reference only
 2) For item no 8: Impregnated separator is at the negative end

No	AO No	Revisions	1	Date	Name
2	12-R027	Change date code format from Q3 (QQY) to M3 (MMY)		2012-01-30	TitisWS
1	R183/08	To add in the crossed-out wheeled bin		2008-04-17	TitisWS

Projection:		Material: Refer to part list no: 070901		Description: 3/V150H battery "Mempac S-H"		
Dimensions in mm Tolerance: DIN 7168-M Scale: 1 : 1		Prepared & Checked 2008-04-23 TitisWS		Verified & Approved		Dwg. No: 070901 (sheet 2 of 2)
				VKB Order No: 55615 703 012		