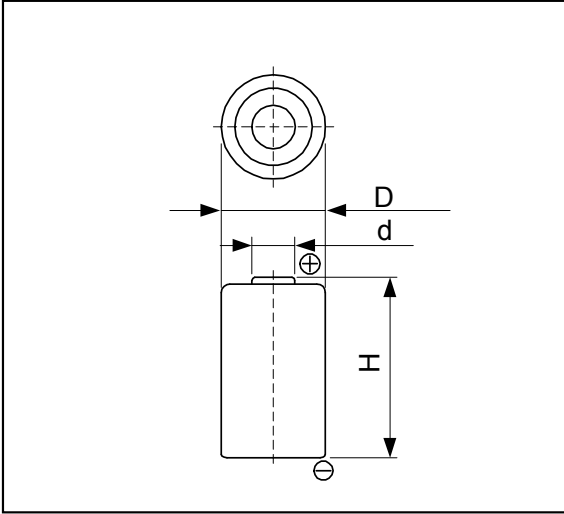


## Cell Type CR2 Specifications



Nominal Capacity <sup>*1</sup>	800mAh	
Nominal Voltage	3V	
Standard Discharge Current	10mA	
Temperature Range	-20°C ~ 60°C	
Weight	10g	
Dimensions	D	15.6mm
	H	27.0mm
	d	6.3mm

\*1 Nominal capacity is determined to an end voltage of 2.0V when the battery is allowed to discharge at a standard current level at 23°C.

\*2 Current value is determined to be the level at which 50% of the nominal capacity is obtained with an end voltage of 2.0V at 23 °C.

\*3 Current value for obtaining 1.0V cell voltage when pulse is applied for 15seconds at 50% discharge depth at 23 °C.

### Typical Characteristics

Discharge Characteristics of CR2

