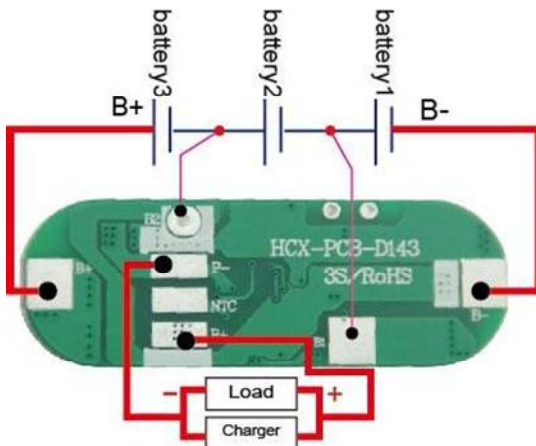


# POWER-XTRA

Model : Power-Xtra Li-ion/Li-Po PCM 11.1V (3 Cell) 8 A\_PCX-D143 Ver: A0 NO: 900.600.501.013

Item	Contents		Criteria(Adjustable)
1	Model	PCX-D143	3S- 8A working current
2	Voltage	Charging voltage	12.6V
3	Current	Maximal continuous charging current	8A
		Maximal continuous discharging current	8A
		Current consumption	≤50μA
4	Overcharge Protection	Over charge detection voltage	4.25V±0.025V
		Over charge detection delay time	0.5~2S
		Over charge release voltage	4.15V±0.05V
5	Over Discharge Protection	Over discharge detection voltage	2.50V±0.08V
		Over discharge detection delay time	50~200mS
		Over discharge release voltage	3.00V±0.1V
6	Over Current Protection	Over current detection voltage	0.1V~0.2V
		Over current detection current	20±5A
		Detection delay time	5~20mS
		Release condition	Cut load,automatically recover
7	Short Circuit Protection	Detection condition	Exterior shot circuit
		Detection delay time	200~500uS
		Release condition	Cut load,automatically recover
8	Balance	Balance voltage for single cell	4.2V±0.025V
		Balance current for single cell	42mA±5mA
9	Resistance	Inner resistance	≤20mΩ
10	Temperature	Operating temperature range	0 ~ +85°C
		Storage temperature range	0 ~ +85°C
11	Size (L*W*T)	54mm*18mm*3.7mm	



## Remarks:

Charge, Discharge at same Port  
 P+=B+/Charge+/Discharge+ P-  
 =Charge-/Discharge-