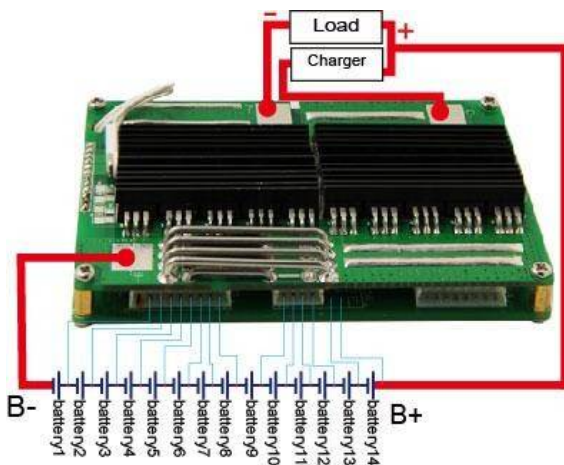


POWER-XTRA

Model : Power-Xtra Li-ion/Li-Po PCM 51.8V (14 Cell) 80 A_PCX--D131/G3J Ver: A0 NO: 900.600.501.109

Item	Contents		Criteria(Adjustable)
1	Model	PCX-D131/G3J	14S-80A working current
2	Voltage	Charging voltage	58.8V
3	Current	Maximal continuous charging current	20A
		Maximal continuous discharging current	80A
		Current consumption	≤50μA
4	Overcharge Protection	Over charge detection voltage	4.28V±0.025V
		Over charge detection delay time	0.5-2S
		Over charge release voltage	4.08V±0.05V
5	Over Discharge Protection	Over discharge detection voltage	3.00V±0.05V
		Over discharge detection delay time	50-200mS
		Over discharge release voltage	3.00V±0.1V
6	Over Current Protection	Over current detection voltage	0.1V-0.2V
		Over current detection current	200±20A
		Detection delay time	5-20mS
		Release condition	Cut load,automatically recover
7	Short Circuit Protection	Detection condition	Exterior shot circuit
		Detection delay time	200-500uS
		Release condition	Cut load,automatically recover
8	Balance	Balance voltage for single cell	4.2V±0.025V
		Balance current for single cell	168±20mA
9	Resistance	Inner resistance	≤20mΩ
10	Temperature	Operating temperature range	0 ~ +85 °C
		Storage temperature range	0 ~ +85 °C
11	Size (L*W*T)	L120mm*W80mm*T25mm	



Remarks:

Charge,Discharge at different Port
 P+=B+=Charge+ /Discharge+ Ch-
 =Charge-
 P-=Discharge-