

# POWER-XTRA

Model : Power-Xtra PX-ICR10450 3.7V 300mAh BatteryPack

Ver: A1

NO:900.600.503.092

---

## PX-ICR10450 Battery Pack Spec

Model: PX-ICR10450

Cell Type: ICR10450

Cell Configuration: 1P1S

Nominal Voltage: 3.7V

Capacity: 300mAh

Draft	Checking	Approved	Customer Confirmation
Dora	Peter		

# POWER-XTRA

Model : Power-Xtra PX-ICR10450 3.7V 300mAh BatteryPack

Ver: A1

NO:900.600.503.092

---

## Revision History

Revision	Date	Editor	Contents
A0	2018-07-18	Dora	Draft
A1	2018-07-19	Dora	

# POWER-XTRA

Model : Power-Xtra PX-ICR10450 3.7V 300mAh BatteryPack

Ver: A1

NO:900.600.503.092

---

## 1. Application

T B D

## 2. Basic Information

Description: Rechargeable Lithium ion battery pack  
Cell Type: ICR10450 (Made in China)  
Chemistry: Lithium ion  
Cell configuration: 1P 1S  
Voltage Nominal: 3.7V  
Capacity Nominal: 300mAh  
Capacity Minimum: 249mAh

Protection:

- A. Over Charge Protection
- B. Over Discharge Protection
- C. Over Current Protection
- D. Short Protection

## 3. Electrical Characters

Charging Method	CC-CV
Charging Voltage	4.2±0.5V
Standard Charging Current	60mA (0.2C)
Cut-off Charging Current	6mA (0.02C)
Standard Discharging Current	60mA (0.2C)
Discharging cut-off Voltage	2.75V
Internal Resistance	<140mOhm
Standard Charge Temperature	0~45°C
Standard Discharge Temperature	-20~60°C
Storage Humidity	65%RH not condensed

# POWER-XTRA

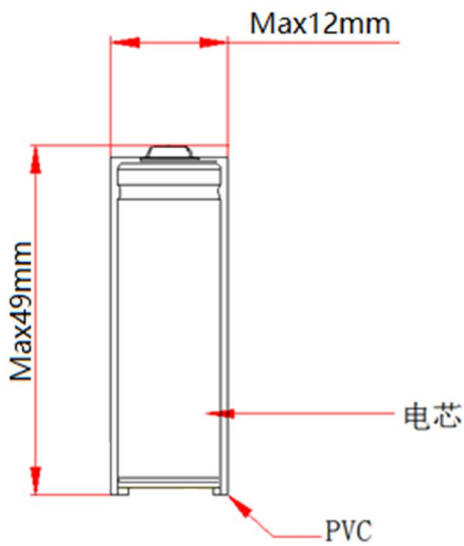
Model : Power-Xtra PX-ICR10450 3.7V 300mAh BatteryPack

Ver: A1

NO:900.600.503.092

## 4. Mechanical Drawings

### 4.1. Drawing of Outline



### 4.2 Picture



## 5. Test Item

Test Items		Rang	Test Quantity		
			Defect Class	Test Quantity	Defect Class
Basic Function	Charging	OK	AQL(S-1)	AQL(II)	Full
	Discharging	OK	AQL(S-1)	AQL(II)	Full
	Internal Resistance	<140mOhm	AQL(S-1)	AQL(II)	Full
Size	Length	Max49mm	Full	Full	Full
	Width	Max12mm	Full	Full	Full
Performance Test	Capacity	>288mAh	Full	Full	Full
	Welding Test	>15N	AQL(S-1)	AQL(II)	Full