

POWER-XTRA

Model : Power-Xtra 4.8V Ni-Cd D Size 4000 Mah Rechargeable Battery with Connector Ver: A0 NO:900.600.503.226

Product Specification

Model :	Ni-Cd Battery
Model:	PX-KD4000-4.8V
Stock Code:	900.600.503.226
Nominal Voltage:	4.8V
Capacity:	4000 Mah
Date:	2017/09/19

Item	Signature 签名	Date 日期
Customer Signature 客户确认		

POWER-XTRA

Model : Power-Xtra 4.8V Ni-Cd D Size 4000 Mah Rechargeable Battery with Connector Ver: A0 NO:900.600.503.226

1、APPLICATION/描述

Model / 电池标称: Ni-Cd PX-KD4000-4.8V

Cell Size / 单体尺寸: SC ($\phi 32.2 \pm 0.5 \times 60.0 \pm 2.5$)

2、DATA OF STACK UP BATTERIES/组合电池的指标

All data involves voltage and weight to stack-up battery are equal to the value of unit cell times the number of unit cell which consisted in the stack-up batteries / 组合电池的电压、重量等数据, 近似等于组成其单体电池数与对应值之乘积。

Example/例如:

Stack-up battery consisting three unit cells/ 电池组包括三个单体电池

Nominal voltage of unit cell=1.2V/ 单体电池的额定电压=1.2V

Nominal voltage of stack-up batteries=1.2V \times 3=3.6V / 电池组的额定电压=1.2V \times 3=3.6V

3、RATINGS/额定性能

Description/项目	Unit/单位	Specification/指标	Conditions/条件
Nominal Voltage/	V	4.8	
Nominal Capacity/	mA h	4000	Standard Charge/Discharge/标准充放
Standard Charge/	mA	400(0.1C)	Ambient Temperature/环境温度: Ta= 20 \pm 5 $^{\circ}$ C
	Hour	16	
Trickle Charge/涓充		(0.03C)-(0.05C)	Ta = 0-45 $^{\circ}$ C
Standard discharge/	mA	800(0.2C)	Ambient Temperature/环境温度: Ta = 20 \pm 5 $^{\circ}$ C Humidity: Max /最大湿度: 85%
Discharge Cut-off Voltage	V	4.0	
Operating temperature	$^{\circ}$ C	-20-45 $^{\circ}$ C	Humidity: Max /最大湿度: 85%
Storage Temperature 贮存温度	$^{\circ}$ C	-20-35 $^{\circ}$ C	一年 Fully charged state、Humidity、Max.60% 满电状态下, 最高环境湿度 60%
		0-60 $^{\circ}$ C	一周 Fully charged state、Humidity、Max.80% 满电状态下, 最高环境湿度 80%
Typical Weight/ 单体电池重量	g	Approx. 105g	

POWER-XTRA

Model : Power-Xtra 4.8V Ni-Cd D Size 4000 Mah Rechargeable Battery with Connector Ver: A0 NO:900.600.503.226

4、 PERFORMANCE/ 电池性能

Unless otherwise stated, tests should be done within one month of delivery under the following conditions:/

除非另有说明，测试须在发货后一个月内在下述条件下进行：

Ambient Temperature/环境温度, T: 20±5°C

Relative Humidity/相对湿度: 65±20%

Test/测试项目	Unit/单位	Specification/指标	Other Condition/其它条件	Remarks/备注
Capacity/容量	mA h	≥4000	Standard Charge Discharge 标准充放	up to 3 cycles are allowed/允 许最多三次充放
Open Circuit Voltage(OCV)/	V	≥5.0	Within 1 hour after standard Charge 在标准充电后 1 小时内测量	
Internal Impedance	mΩ/ Cell	≤16	Upon fully charge(1 K Hz)/	
High Rate Discharge(0.5C)/	minute	≥96	Standard Charge, 1 hour rest Before Discharge by 0.5C to 3.0 V	up to 3 cycles are allowed
Overcharge/过充		No leakage nor explosion	0.1C Charge 14 days	
Charge Retention/	mA h	≥2600(65%)	Standard Charge, Storage:7 day rest at 45°C Ambient Temperature,	
IEC Cycle Life	Cycle	≥500	IEC61951-1(2003)7.4.1.1	(see Note 4)/ (参见 Note 4)
Leakage Test		No leakage nor deformation	Fully charged at 0.5C for 2.5 hour stand for 14 days.	
Security Test		No explosion, but l eakage or deformat ion is allowed	Charge the cell 0.1C 16hrs, Then ≤100 mΩ Impedance short circuit for 1hour	Ambient Temperature
Impact Resistance		Change of voltage should be under 0.02V/ Cell Change of impedance should be under 5 mΩ/ Cell/	Charge the cell 0.1C 16hrs Then leave for 1-4hrs, check battery before/after dropped, H eight 50cm Wooden board (thickness 30mm) Direction not specified, 3 times.	Ambient Temperature/环 境温度: T=20±5°C

Vibration Resistance		Change of voltage should be under 0.02V/cell, Change of impedance should be under 5 milliohm	Charge the battery 0.1C 16hrs, then leave for 24hrs, check Battery before/after vibration, Amplitude 1.5mm Vibration 3 000CPM, Any direction for 60 mins	Ambient Temperature: T=20±5°C
----------------------	--	--	---	-------------------------------------

POWER-XTRA

Model : Power-Xtra 4.8V Ni-Cd D Size 4000 Mah Rechargeable Battery with Connector Ver: A0 NO:900.600.503.226

5、CONFIGURATION,DIMENSIONS AND PACKINGS/电池结构、尺寸、包装物

Please refer to the attached drawing./ 参见附图

6、EXTERNAL APPEARANCE/外观

The cell/battery shall be free from cracks, scars, breakage, rust, discoloration, leakage nor deformation.

无裂缝、疤痕、破裂、锈蚀、脏污、漏液、变形

7、CAUTION/使用注意事项

- 1) Reverse charging is not acceptable./ 勿将电池反极充电
- 2) Charge before use. The cells/batteries are delivered in an uncharged state. /初次用前先充电, 所提供的电池为未充电态
- 3) Do not charge/discharge with more than our specified current./ 避免以高于指定的电流充放电
- 4) Do not short circuit the cell/battery Permanent damage to the cell/battery may result.
防止电池短路, 以免造成可能的损坏
- 5) Do not incinerate or mutilate the cell/battery. / 勿拆解或焚烧电池
- 6) Do not solder directly to the cell/battery. / 勿在电池上直接焊接
- 7) The life expectancy may be reduced if the cell/battery is subjected adverse conditions like: extreme temperature, deep cycling, excessive overcharge/ over-discharge. / 如超高温、深度循环、过量的过充、过放电, 电池的使用寿命可能会下降。
- 8) Store the cell/battery uncharged in a cool dry place. Always discharge batteries before bulk storage or shipment./ 电池应贮放干爽阴凉处; 组合电池或装定前应将电池放电。

Notes:

- 1) T_1 : Ambient Temperature./ 环境温度
- 2) Approximate charge time from discharged state is for reference only. / 以放电态为基准的大致充电时间仅供参考。
- 3) We recommend cells or batteries are charged and discharged at least once every 6 months. / 我们建议电池或电池组至少每六个月进行一次充放电。

POWER-XTRA

Model : Power-Xtra 4.8V Ni-Cd D Size 4000 Mah Rechargeable Battery with Connector Ver: A0 NO:900.600.503.226

4) IEC61951-1(2003)7.4.1.1 Cycle Life:/ 循环寿命

Cycle No. / 循环周次	Charge / 充电	Rest / 搁置	Discharge / 放电
1	0.1C×16h	None	0.25C×2h20min
2-48	0.25C×3h10min	None	0.25C×2h20min
49	0.25C×3h10min	None	0.25C to 1.0V/ cell
50	0.1C×16h	1-4h	0.2C to 1.0V/ cell
Cycles 1 to 50 shall be repeated until the discharge duration on any 50th Cycle becomes less than 3 h / 循环至任一第 50 次放电时间不足 3 小时为止。			

8、Other / 其他

- 1) The information (subject to change without prior notice) contained in this document is for reference only and should not be used as a basis for product guarantee or warranty. / 本文件所包含的信息（包括未经事先通知所作的变更）仅供参考使用，并不能用于作为品质担保或声明。
- 2) Manufacturer reserves the right to alter or amend the design, model and specification without prior notice. / 供应商保留在不事先通知的情况下对设计、型号和规格修正和改进的权利。

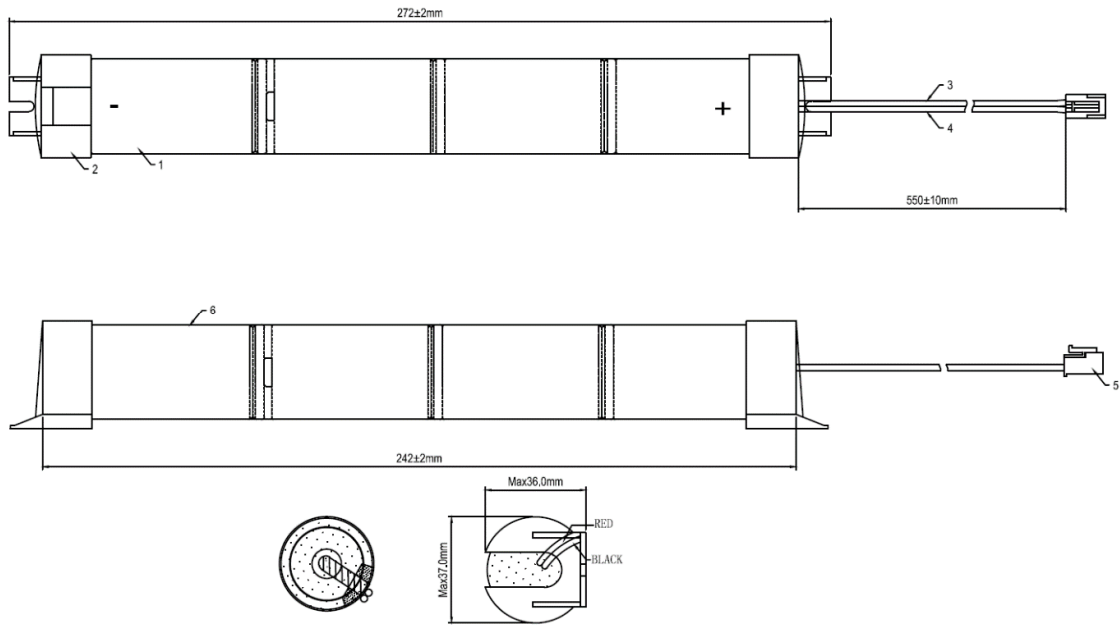
POWER-XTRA

Model : Power-Xtra 4.8V Ni-Cd D Size 4000 Mah Rechargeable Battery with Connector

Ver: A0

NO:900.600.503.226

Attached Drawing / 附图



Label T.B.D

NO	NAME	SIZE	QTY	NOTE		
1	CELLS	D4000MAH	4	Ni-CD		
2	COVER	D	2	ABS		
3	WIRE RED	UL1007 18#	1	550MM	MODEL	
4	WIRE BLACK	UL1007 18#	1	550MM	DESIGN BY	
5	PLUG	JST-VHR-2P	1	opposite direction	CHECKER	
6	PVC (OUT)	65MM*259MM*0.1MM	1	WHITE	VERSION	

POWER-XTRA

Model : Power-Xtra 4.8V Ni-Cd D Size 4000 Mah Rechargeable Battery with Connector Ver: A0 NO:900.600.503.226


Drawing Packing 包装图

PP 袋单独包装，再装内盒，每箱不超 10KG，贴侧唛：客户定制 Logo 外箱：外箱 Logo 内容格式如下：

POWER-XTRA

侧唛：

条形码格式为：GS1(EAN.UCC)/ENA-13 Bar code，侧唛分别贴于纸箱两侧（尺寸视纸箱尺寸更改），内容及格式如下：

PO NO.	Order	← 根据每次订单更改
MODEL NO.	900.600.503.226	
QTY	500PCS	← 根据每箱数量更改
DATE	YYYY-MM-DD	← 根据出货日期更改
Made in China		
		
8 680187 003418		