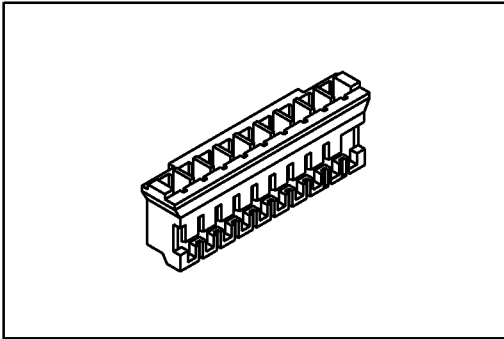


4172 Series

Housing 2.0mm(0.079")



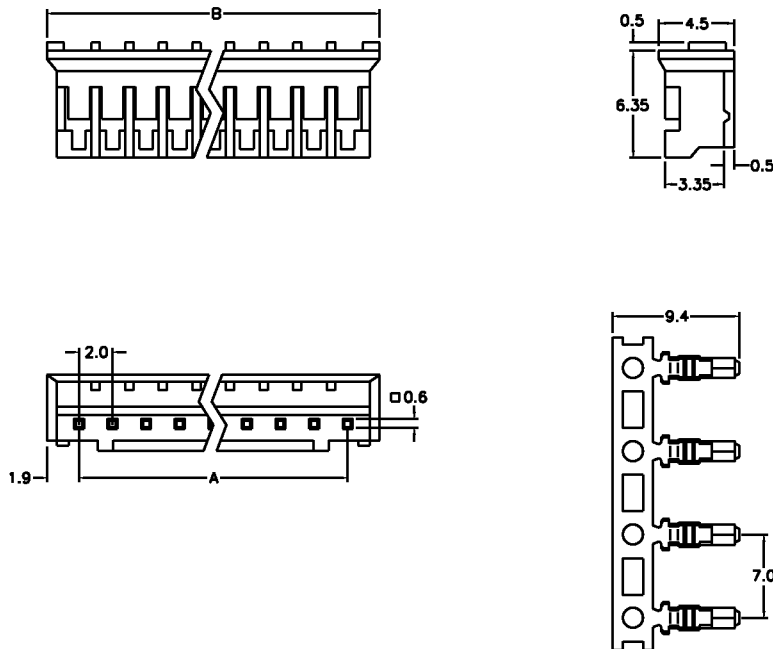
Material:
Housing: Nylon 66 Flame retardant UL94V-0.
Contacts: Brass.
Terminal Plating: Tin plated.
Recommend Wire: 22AWG to 28AWG.

Electrical Characteristics:
Current Rating: 2 AMP.
Insulator Resistance: 1000MΩmin. at DC 800V.
Contact Resistance: 20mΩmax. at DC 100mA.
Operating Temperature: -25°C~+85°C.

Features:

- * Available in Single row.
- * Box design terminal order separately.
- * Side-to-side and end-to-end stackable.

Mates with: 4172 wafer.



Position	2 Thru 16
Dimension	
A	2.0 X No. of Positions -2.0
B	2.0 X No. of Positions +1.8

Ordering information

4172- 16 H B
 Series No.of Position H: Housing B: Bulk Package

4172- PIN-T-10K
 Series T: Tin Plated 10K Pins Per Reel