

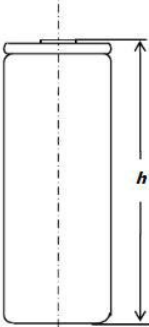
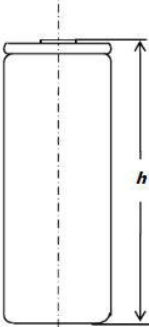
Model: IFR32700 - 3.2V 5000 mAh LiFePO4 Rechargeable Cell

Stock Code: 900.600.503.469

Item	Specification	
Norminal capacity	5000 mAh @0.5C	
Minimum capacity	5000 mAh @0.5C	
Normal voltage	3.2V	
Limited charge voltage	3.65 V	
Discharge ending voltage	2.0 V	
Upper Limited Charge voltage	3.7 V	
Discharge Cut-off voltage	1.95 V	
Taper-off current	0.02C (100mA)	
Standard charging current	0.5C (2500 mA)	
Standard discharge current	1C (5000mA)	
Max charge current	1C (25±3°C) (not for cycle life)	
Max discharge current	3C (25±3°C) (not for cycle life)	
Normal temperature cycle	100%DOD 1000 times@80% 80% DOD 2000 times@80% 50% DOD 3000 times@80%	
Recommended charge and discharge cell environment temperature	Charge:	0~45°C
	Discharge:	-10~60°C
Maximum short term allowable charge and discharge cell body temperature. Charging and discharging at these conditions will shorten cell cycle life	Charge:	45°C
	Discharge:	60°C
Internal resistance	≤ 7mΩ (AC Impedance, 1000 Hz)	

Model: IFR32700 - 3.2V 5000 mAh LiFePO4 Rechargeable Cell

Stock Code: 900.600.503.469

Item	Specification	Representative Image
Height	70.5±0.3mm	
Diameter	32.2±0.2mm	
Weight	≤135g	