

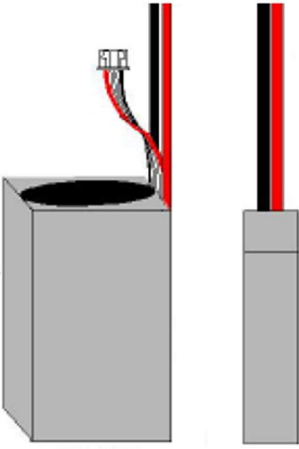
Model: Power-Xtra PX4000WB2S - 2S1P - 7.4V 4000 mAh Li-Polymer Battery -45C

Stock Code: 900.869.503.152

Item	Specifications	Conditions
Nominal Voltage	7.4V±0.05V	0.2C Discharge
Charging	Method	CC-CV
	Voltage	8.4V±0.05V
Typ. Capacity	4.000 mAh	0.2C Discharge cut-off Voltage 3.0V after standard charge at 23±2°C
Maximum Charge Voltage	8.4V	4.2V/Cell
Configuration	2S1P	
Standard Charging Current	4000 mA	1.0C
Standard Discharging Current	4000 mA	1.0C
Maximum Charging Current	8000 mA	2.0C
Max. Constant Discharge Current	80 A	20.0C - Ref.Temperature:10-50°C
Max. Burst Discharge Current	180 A	45.0C ≤3S
Discharge Cut-Off Voltage	6.0V	
Temperature	Charge	0 to +10°C
		10 to +45°C
	Discharge	-20 to +60°C
	Storage	Less than 1 year: -20-25°C
less than 3 months: -20-30°C		
less than 1 months: -20-45°C		
Weight	215 gr	approximately
Cycles Test	Measure capacity under the cycle conditions described below, until the discharge capacity ≤80% for three times. Cycle conditions: Standard Charge (CC-CV, 0.2C, 4.2V) , Rest for 30min;Discharge with 1C, 3.0V cutting off. Testing temperature is 23±2°C Cycle Life≥500 cycles	

Model: Power-Xtra PX4000WB2S - 2S1P - 7.4V 4000 mAh Li-Polymer Battery -45C

Stock Code: 900.869.503.152

Item	Description	Dimension	Technical Drawing
T	Thickness	24.8± 0.2 mm	
W	Width	47.0± 1 mm	
L	Length	139.0± 1 mm	
BP	Balance Plug	JST-XHP-3 JST-SYP-2P	
DP	Discharge Plug	-	

Image

